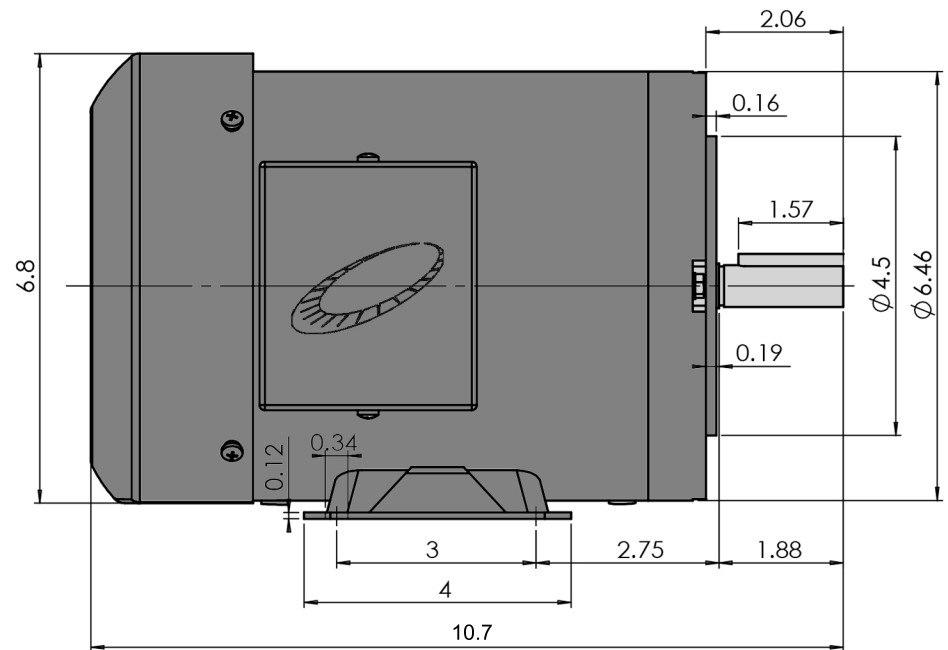
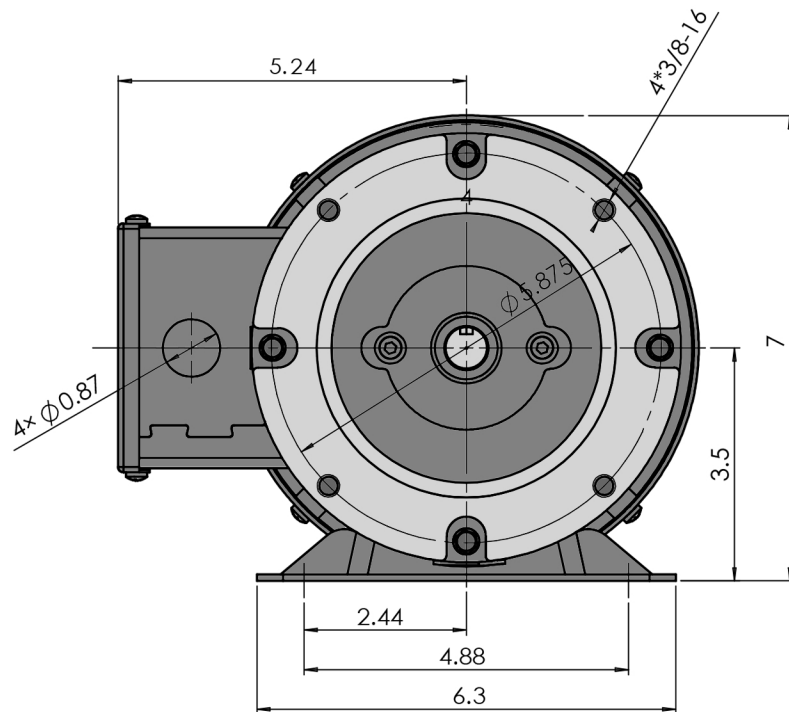
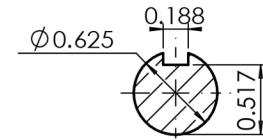


MaxMotion



Version:2HUA	Revised: July 2020	HP	RPM	FRAME	ENCLOSURE
Customer is responsible in determining that MaxMotion product will fit/perform suitably in the intended application		1	1800	56C	TEFC

MPRP-104CH